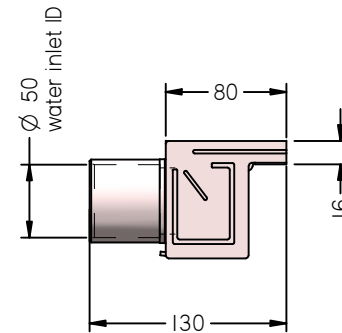
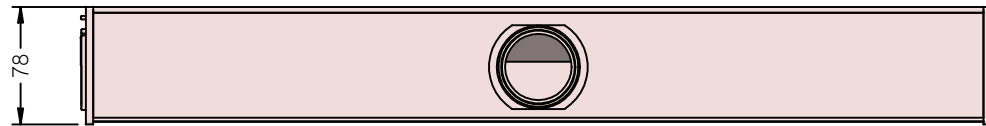
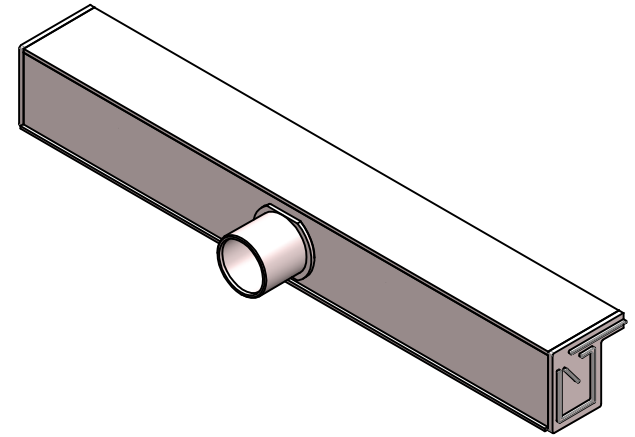
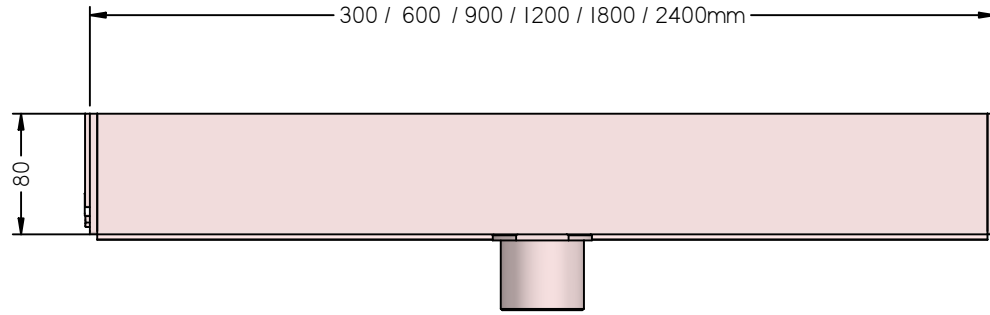
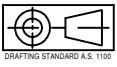


DEBURR & BREAK ALL SHARP EDGES
UNLESS SPECIFIED

DO NOT SCALE PRINT



				DIMENSIONS IN mm UNLESS OTHERWISE SPECIFIED GENERAL TOLERANCES LINEAR: X = ±0.5 XX = ±0.1 XXX = ±0.05 ANGULAR: X = 1° XX = ±0.2° SURFACE FINISHES MAX 1.6 MICRO METRES			 DRAFTING STANDARD A.S. 1105			MAT'L FINISH PVC			HURLCON P / L Ph 9701 5562 Fax 9701 5572 ABN 97 007 284 504 48 Hanna Street, Noble Park, Vic 3179			FRAME	1" LIP WATERFALL - 600mm		
							DRAWN R.CIESLAK 22/06/2009			STATUS	SILKFLOW WATERFALL								
				CHECKED			RELEASED			R	CAM / LYT. NO. 1CAM								
				SCALE						SHEET	DWG. NO: 10271					DATA CARE NO:	REVISION		
REV	CHANGE DESCRIPTON	DATE	BY	This drawing remains the property of originator. No part or parts of this drawing may be reproduced without written permission.						A3			B						